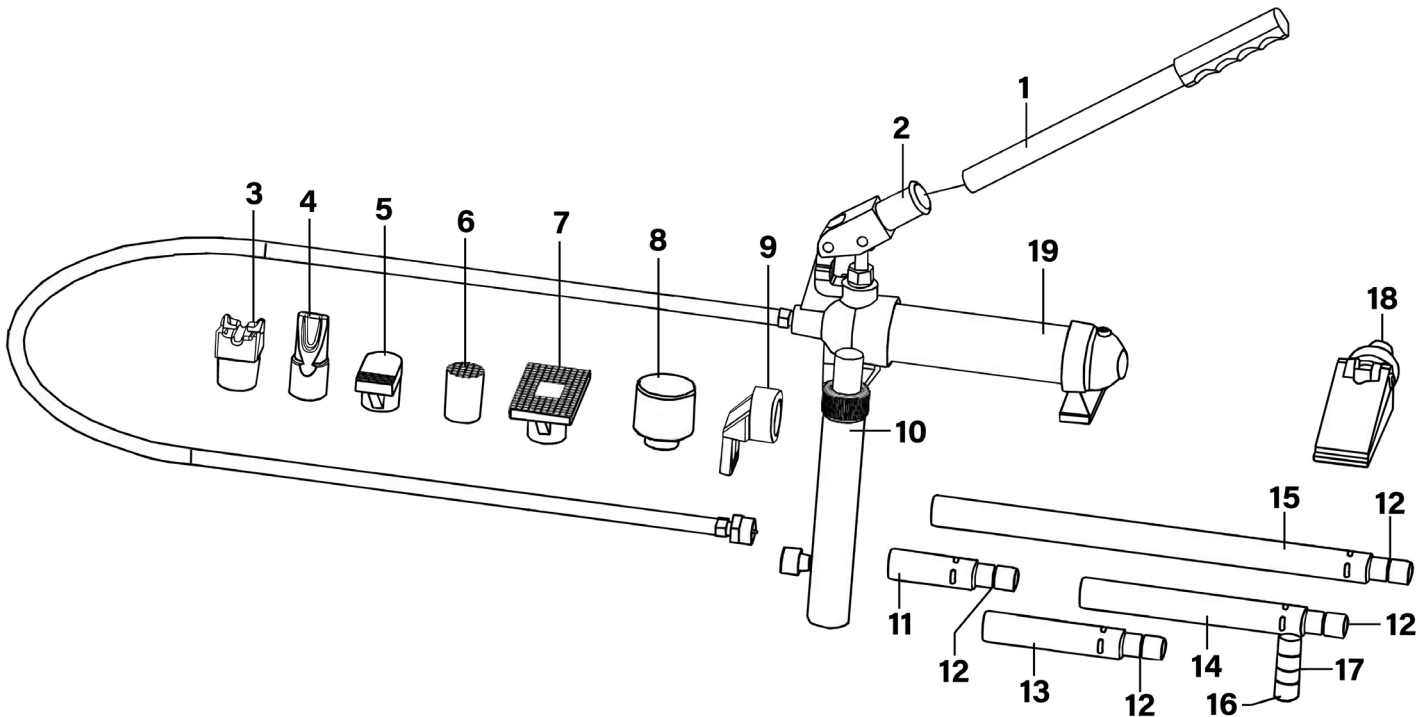




Parts Information:
Hydraulic Body Repair Kit 10 Tonne Snap Type
Model No: RE9810



Item	Part No.	Description
1	RE9810-01	Pump Handle
2	RE9810-02	Pump Handle Socket
3	RE9810-03	Combi Head
4	RE9810-04	Wedge Head
5	RE9810-05	Plunger Toe
6	RE9810-06	Serrated Saddle
7	RE9810-07	Flat Base
8	RE9810-08	Rubber Head
9	RE9810-09	Ram Toe
10	RE9810-10	Ram Assembly

Item	Part No.	Description
11	RE9810-11	Extension Tube 3"
12	RE9810-12	Male Connector
13	RE9810-13	Extension Tube 5"
14	RE9810-14	Extension Tube 8"
15	RE9810-15	Extension Tube 16"
16	RE9810-16	Male Connector
17	RE9810-17	Ring Clip
18	RE9810-18	Hydraulic Spreader
19	RE9810-19	Pump Assembly (c/w Hose)

NOTE: It is our policy to continually improve products and as such we reserve the right to alter data, specifications and component parts without prior notice. There may be alternative versions of this product, please contact us should you require this information.

IMPORTANT: No liability is accepted for incorrect use of product. Spare parts must be fitted by a competent person

WARRANTY: Guarantee is 12 months from purchase date, proof of which will be required for any claim.

Sealey Group, Kempson Way, Suffolk Business Park, Bury St Edmunds, Suffolk. IP32 7AR



01284 757500



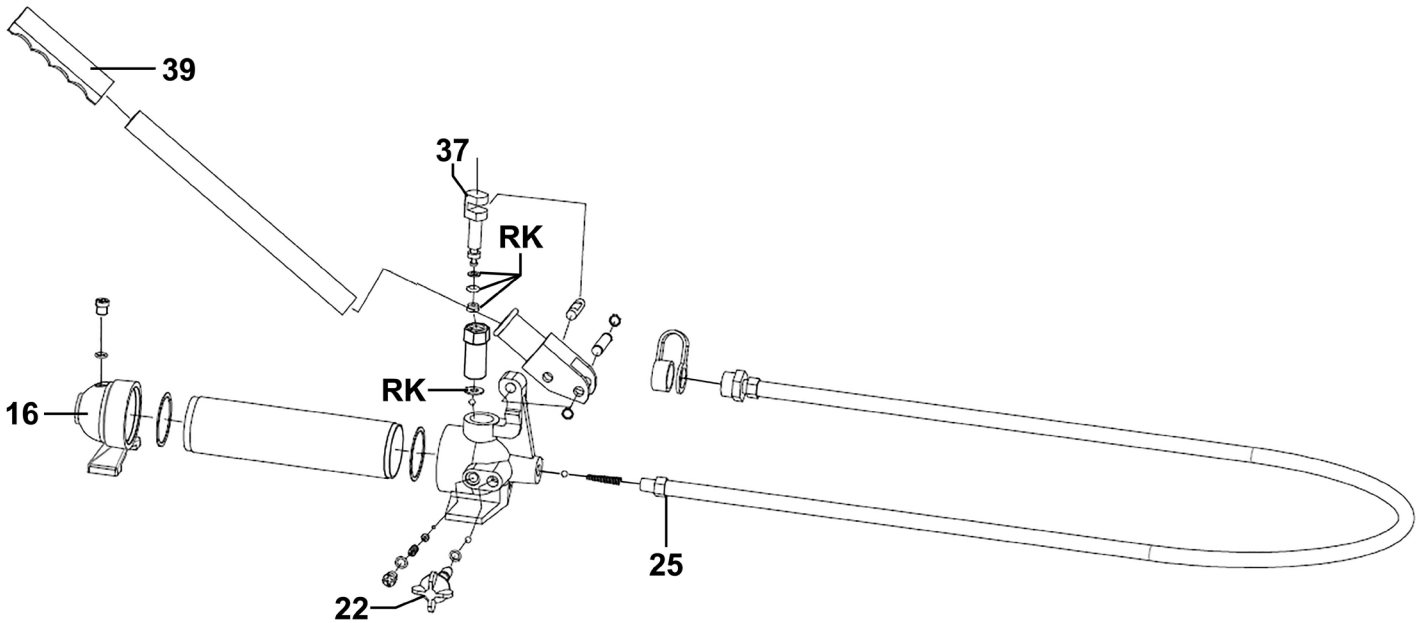
sales@sealey.co.uk



www.sealey.co.uk



Parts Information:
**Hydraulic Body Repair Kit 10 Tonne Snap
 Type**
Model No: RE9810



Item	Part No.	Description
16	RE9810-P16	End Cap
22	RE9810-P22	Release Valve
25	RE9810-P25	Pump Hose
37	RE9810-P37	Pump Plunger

Item	Part No.	Description
39	RE9810-P39	Pump Handle Grip
RK	RE9810-PRK	Repair Kit for Pump
--	RE9810-SC	Storage Case (Not Shown)

NOTE: It is our policy to continually improve products and as such we reserve the right to alter data, specifications and component parts without prior notice. There may be alternative versions of this product, please contact us should you require this information.

IMPORTANT: No liability is accepted for incorrect use of product. Spare parts must be fitted by a competent person

WARRANTY: Guarantee is 12 months from purchase date, proof of which will be required for any claim.

Sealey Group, Kempson Way, Suffolk Business Park, Bury St Edmunds, Suffolk. IP32 7AR



01284 757500



sales@sealey.co.uk



www.sealey.co.uk