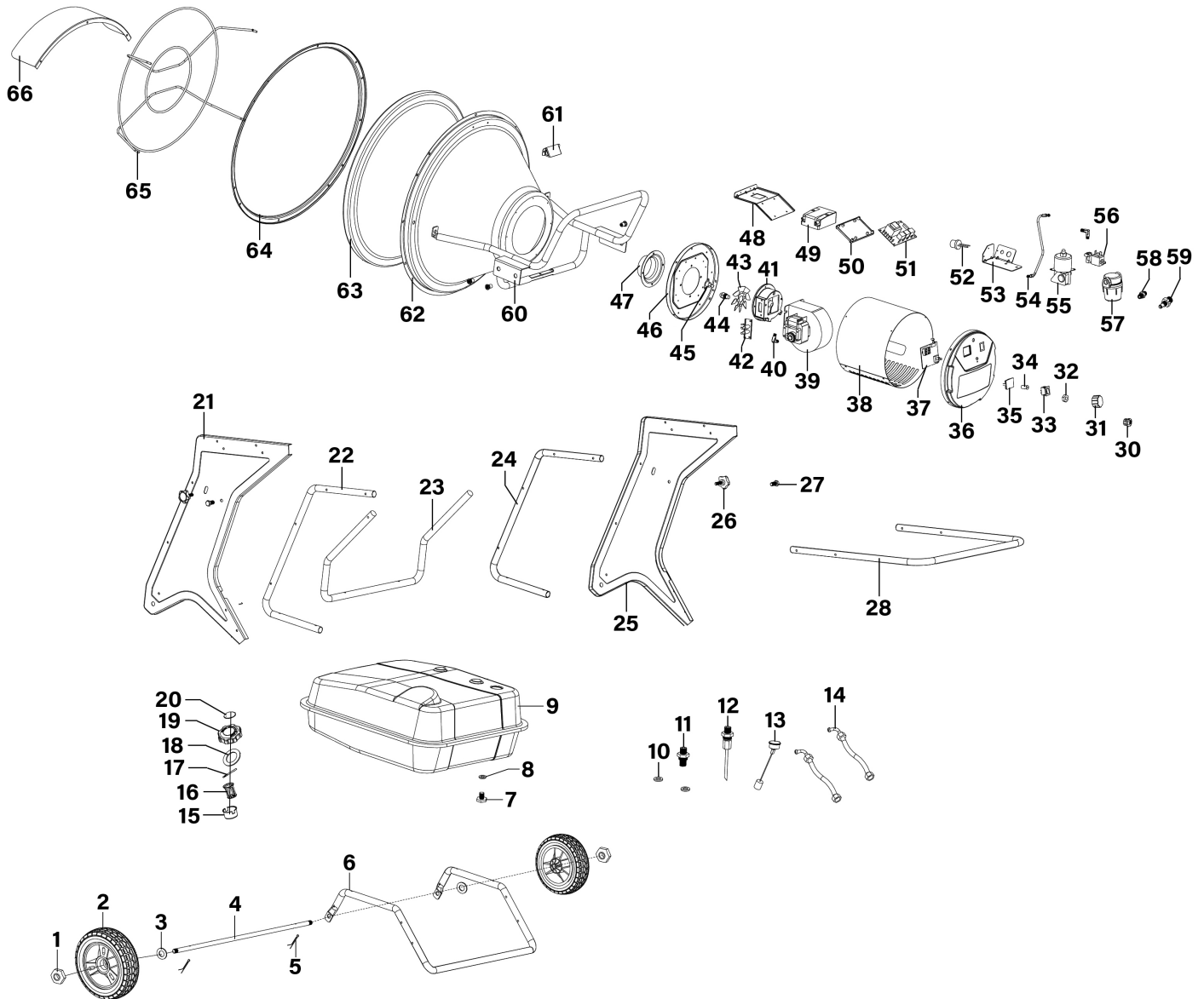




Parts Information:
**Infrared Space Warmer® Kerosene/Diesel
 Heater with Wheels 136,000Btu/hr
 Model No: IR37.V6**



Item	Part No.	Description	Qty
1	IR37-V6-01	Domed Nut	2
2	IR37-V6-02	Fixed Wheel	2
3	IR37-V6-03	Washer	2
4	IR37-V6-04	Wheel Axle	1
5	IR37-V6-05	Split Pin	2
6	IR37-V6-06	Wheel Support Frame	1
7	IR37-V6-07	Oil Drain Bolt	1
8	IR37-V6-08	Oil Drain Seal Ring	1
9	IR37-V6-09	Fuel Tank	1
10	IR37-V6-10	Sealing Ring	2
11	IR37-V6-11	Oil Pipe Union	1

Item	Part No.	Description	Qty
12	IR37-V6-12	Oil Suction Pipe	1
13	IR37-V6-13	Oil Leveler	1
14	IR37-V6-14	Oil Pipe	2
15	IR37-V6-15	Oil Inlet Filter Holder	1
16	IR37-V6-16	Oil Inlet Filter	1
17	IR37-V6-17	Fuel Tank Cap Shaft	1
18	IR37-V6-18	Fuel Tank Cap Seal	1
19	IR37-V6-19	Fuel Tank Cap	1
20	IR37-V6-20	Breather Cover	1
21	IR37-V6-21	Panel, Right Side	1
22	IR37-V6-22	Frame, Right Side	1

NOTE: It is our policy to continually improve products and as such we reserve the right to alter data, specifications and component parts without prior notice. There may be alternative versions of this product, please contact us should you require this information.

IMPORTANT: No liability is accepted for incorrect use of product. Spare parts must be fitted by a competent person

WARRANTY: Guarantee is 12 months from purchase date, proof of which will be required for any claim.

Sealey Group, Kempson Way, Suffolk Business Park, Bury St Edmunds, Suffolk. IP32 7AR



01284 757500



sales@sealey.co.uk



www.sealey.co.uk



Parts Information:
**Infrared Space Warmer® Kerosene/Diesel
Heater with Wheels 136,000Btu/hr Model
No: IR37.V6**

Item	Part No.	Description	Qty
23	IR37-V6-23	Support Frame	1
24	IR37-V6-24	Frame, Left Side	1
25	IR37-V6-25	Panel, Left Side	1
26	IR37-V6-26	Clamping Screw	2
27	IR37-V6-27	Hex Screw	2
28	IR37-V6-28	Handle	1
30	IR37-V6-30	Cable Holder	1
31	IR37-V6-31	Thermostat Knob	1
32	IR37-V6-32	Thermostat Adjustment Knob Nut	1
33	IR37-V6-33	On/Off Switch	1
34	IR37-V6-34	Light Cover	1
35	IR37-V6-35	Display Window	1
36	IR37-V6-36	Rear Cover (Plastic)	1
37	IR37-V6-37	Display PCB	1
38	IR37-V6-38	Body	1
39	IR37-V6-39	Blower Motor Assmbly	1
40	IR37-V6-40	Elbow Connection	2
41	IR37-V6-41	Burner Head	1
42	IR37-V6-42	Ignition Needle	1
43	IR37-V6-43	Fan Blade	1
44	IR37-V6-44	Nozzle Assembly	1
45	IR37-V6-45	Re-set Thermostat	1

Item	Part No.	Description	Qty
46	IR37-V6-46	Heat Plate	1
47	IR37-V6-47	Diffusion Cap	1
48	IR37-V6-48	Bracket for Ignition Transformer	1
49	IR37-V6-49	Ignition Transformer	1
50	IR37-V6-50	PCB Support	1
51	IR37-V6-51	Power PCB	1
52	IR37-V6-52	Photocell Assembly	1
53	IR37-V6-53	Electronic Pump Support	1
54	IR37-V6-54	Fuel Pipe Assembly	1
55	IR37-V6-55	Fuel Pump	1
56	IR37-V6-56	Solenoid Valve	1
57	IR37-V6-57	Fuel Filter Assmbly	1
58	IR37-V6-58	Oil Pipe Connector	1
59	IR37-V6-59	Return Fuel Connector	1
60	IR37-V6-60	Radiant Cone Support Assembly	1
61	IR37-V6-61	Label Plate	1
62	IR37-V6-62	Radiant Cone Assembly	1
63	IR37-V6-63	Combustion Chamber	1
64	IR37-V6-64	Front Cover	1
65	IR37-V6-65	Safety Guard	1
66	IR37-V6-66	Radiant Visor	1

NOTE: It is our policy to continually improve products and as such we reserve the right to alter data, specifications and component parts without prior notice. There may be alternative versions of this product, please contact us should you require this information.

IMPORTANT: No liability is accepted for incorrect use of product. Spare parts must be fitted by a competent person

WARRANTY: Guarantee is 12 months from purchase date, proof of which will be required for any claim.

Sealey Group, Kempson Way, Suffolk Business Park, Bury St Edmunds, Suffolk. IP32 7AR



01284 757500



sales@sealey.co.uk



www.sealey.co.uk