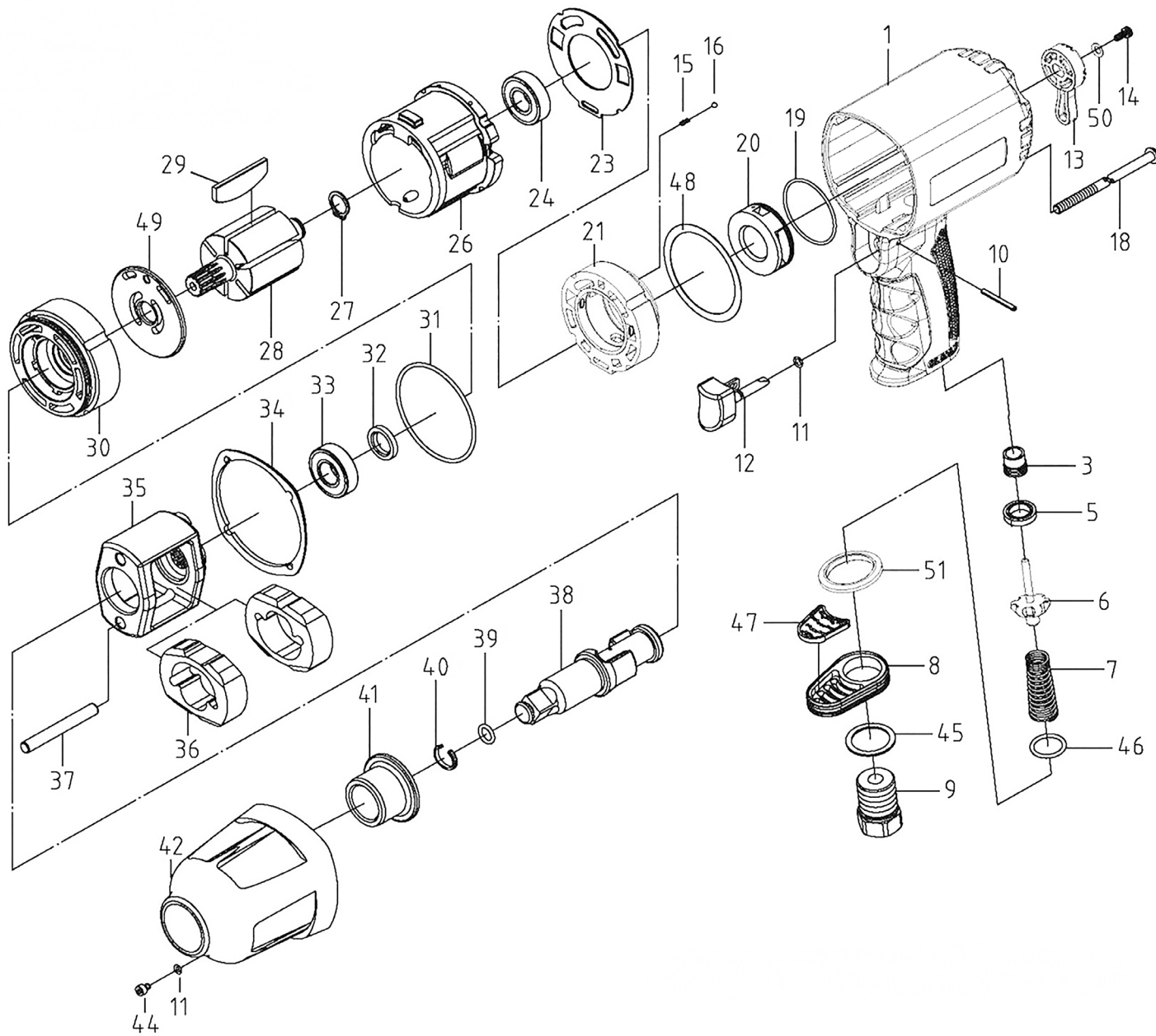


Parts Information:
**Composite Air Impact Wrench 1/2" Sq Drive
 Twin Hammer**
Model No: GSA6002



Item	Part No.	Description
1	GSA6002.01A	Housing Ass'y
3	GSA6002.03A	Seal Ass'y
5	GSA6002.05	Valve Seat
6	GSA6002.06A	Valve Ass'y
7	GSA6002.07	Valve Spring Conical
8	GSA6002.08	Exhaust Deflector
9	GSA6002.09	Air Inlet
10	GSA6002.10	Spring Pin M2.5 X 24
11	GSA6002.11	O-Ring, (Ex: 5.15 In: 3.15 Cs: 1)

Item	Part No.	Description
12	GSA6002.12	Trigger
13	GSA6002.13	Lever, Forward/Reverse Switch
14	SCB48.SB	Socket Cap Bolt M4 x 8mm Black
15	GSA6002.15	Spring Dia 2.4mm
16	SB-2.5	Steel Ball 2.5mm
18	GSA6002.18	Button Head Cap Screw 5mm x 90mm
19	GSA6002.19	O-Ring, (Ex: 33.80 In: 31.45 Cs: 1.18)
20	GSA6002.20	Air Regulator
21	GSA6002.21A	Bushing Ass'y

NOTE: It is our policy to continually improve products and as such we reserve the right to alter data, specifications and component parts without prior notice. There may be alternative versions of this product, please contact us should you require this information.

IMPORTANT: No liability is accepted for incorrect use of product. Spare parts must be fitted by a competent person

WARRANTY: Guarantee is 12 months from purchase date, proof of which will be required for any claim.



Parts Information:
**Composite Air Impact Wrench 1/2" Sq Drive
Twin Hammer
Model No: GSA6002**

Item	Part No.	Description
23	GSA6002.23	Gasket
24	B/6001ZZ	Bearing 6001ZZ
26	GSA6002.26A	Cylinder Ass'y
27	CRM251.12	External Circlip 13.7mm ID.
28	GSA6002.28	Rotor
29	GSA6002.29	Rotor Blade (Set of 6)
30	GSA6002.30	Front End Plate
31	GSA6002.31	O-Ring, (Ex: 57.61 In: 55.37 Cs: 1.12)
32	GSA6002.32	Oil Seal
33	B/R8ZZ	Bearing R8ZZ
34	GSA6002.34	Gasket
35	GSA6002.35	Hammer Cage
36	GSA6002.36	Hammer Dog
37	GSA6002.37	Hammer Pin

Item	Part No.	Description
38	GSA6002.38	Anvil
39	SA355.V2-04	O-Ring, (Ex: 10.31 In: 6.75 Cs: 1.78)
40	GSA6002.40	Retainer
41	GSA6002.41	Anvil Bushing
42	GSA6002.42A	Hammer Case Ass'y
44	SCB34.SB	Socket Cap Bolt M3 x 4mm Black
45	GSA6002.45	Washer Thin M20
46	GSA6002.46	O-Ring, (Ex: 17.82 In: 14.47 Cs: 1.68)
47	GSA6002.47	Muffler Cover
48	GSA6002.48	Gasket
49	GSA6002.49	Metal Disc M12x56
50	GSA6002.50	Washer Wavy M3
51	GSA6002.51	Rubber Washer Thin M20
--	SA92.V2-18	Spring Pin M2 X 6 (Not Shown)

NOTE: It is our policy to continually improve products and as such we reserve the right to alter data, specifications and component parts without prior notice. There may be alternative versions of this product, please contact us should you require this information.

IMPORTANT: No liability is accepted for incorrect use of product. Spare parts must be fitted by a competent person

WARRANTY: Guarantee is 12 months from purchase date, proof of which will be required for any claim.

Sealey Group, Kempson Way, Suffolk Business Park, Bury St Edmunds, Suffolk. IP32 7AR



01284 757500



sales@sealey.co.uk



www.sealey.co.uk