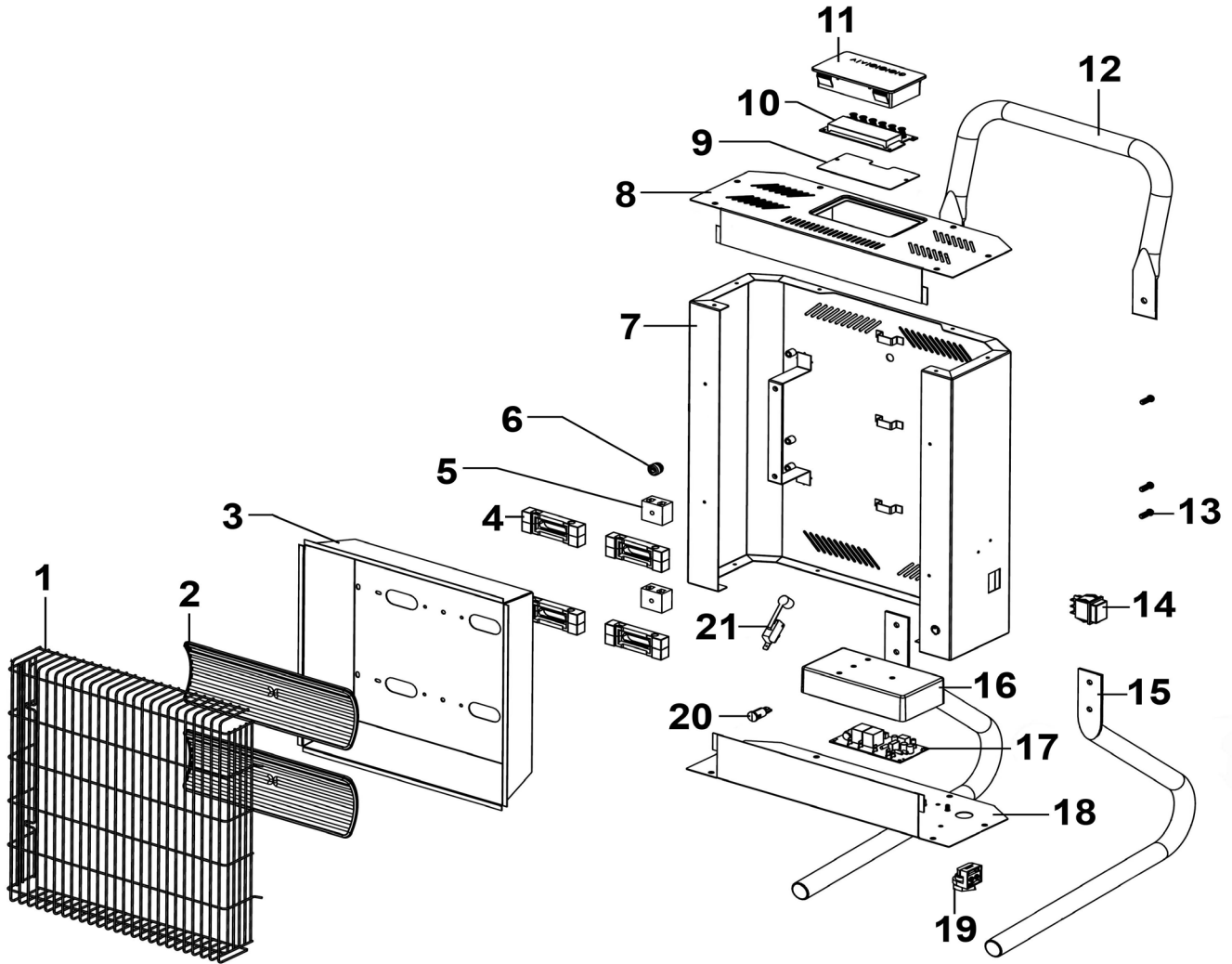




Parts Information:
**Ceramic Heater 1.4/2.8kW 230V/ Ceramic
 Heater 1.2/2.4kW - 110V**
Model No: CH30 & CH30110V



| Item | Part No. | Description | Qty |
|------|-------------|---|-----|
| 1 | CH30.01 | Front Guard | 1 |
| 2 | CH30.02 | Ceramic Heating Element 230V (CH30 Only) | 2 |
| 2 | CH30110V.02 | Ceramic Heating Element 110V (CH30110V Only) | 2 |
| 3 | CH30.03 | Reflector | 1 |
| 4 | CH30.04 | Ceramic Heating Element Mounting Block (Pair) | 8 |
| 5 | CH30.05 | Ceramic Terminal | 2 |
| 6 | CH30.06 | Thermocouple Grip | 1 |
| 7 | CH30.07 | Main Body | 1 |
| 8 | CH30.08 | Top Cover for Main Body | 1 |
| 9 | IR15.15 | Base Support, PCB | 1 |
| 10 | IR15.16 | PCB, Upper Unit | 1 |
| 11 | IR15.17 | PCB Cover, Upper Unit | 1 |

| Item | Part No. | Description | Qty |
|------|----------|---|-----|
| 12 | CH30.12 | Handle Frame | 1 |
| 13 | MSP620.S | Machine Screw Pan Head Phillips M6 x 20mm | 6 |
| 14 | IR15.03 | On/Off Switch 250V 16A 125V AC T85/55 | 1 |
| 15 | CH30.15 | Frame, Lower Support | 2 |
| 16 | CH30.16 | PCB Cover, Lower Unit | 1 |
| 17 | IR15.23 | PCB, Lower Unit | 1 |
| 18 | CH30.18 | Lower Cover, Main Body | 1 |
| 19 | IR15.20 | Cable Grip | 1 |
| 20 | CH30.20 | Indicator Light | 1 |
| 21 | CH30.21 | Tilt Switch | 1 |
| -- | CH30.22 | PCB Battery 3.7V 0.925Wh (Not Shown) | 1 |

NOTE: It is our policy to continually improve products and as such we reserve the right to alter data, specifications and component parts without prior notice. There may be alternative versions of this product, please contact us should you require this information.

IMPORTANT: No liability is accepted for incorrect use of product. Spare parts must be fitted by a competent person

WARRANTY: Guarantee is 12 months from purchase date, proof of which will be required for any claim.

Sealey Group, Kempson Way, Suffolk Business Park, Bury St Edmunds, Suffolk. IP32 7AR



01284 757500



sales@sealey.co.uk



www.sealey.co.uk