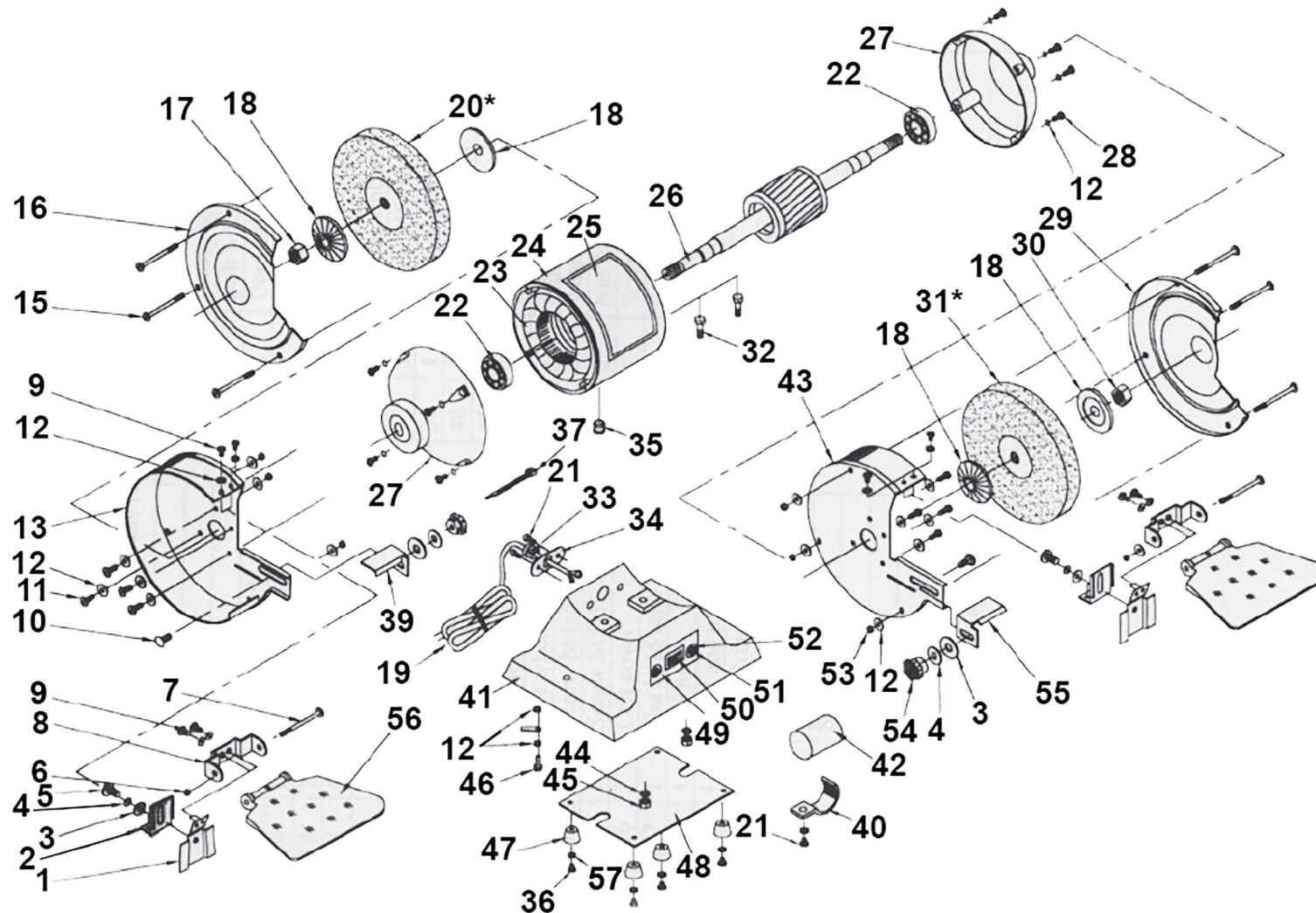




Parts Information:
Bench Grinder Ø200mm 600W/230V Heavy-Duty
Model No: BG200/99.V3



NOTE: It is our policy to continually improve products and as such we reserve the right to alter data, specifications and component parts without prior notice.

There may be alternative versions of this product, please contact us should you require this information.

IMPORTANT: No liability is accepted for incorrect use of product. Spare parts must be fitted by a competent person

WARRANTY: Guarantee is 12 months from purchase date, proof of which will be required for any claim.

Sealey Group, Kempson Way, Suffolk Business Park, Bury St Edmunds, Suffolk, IP32 7AR



01284 757500



sales@sealey.co.uk



www.sealey.co.uk



Parts Information:
Bench Grinder Ø200mm 600W/230V
Heavy-Duty
Model No: BG200/99.V3

Item	Part No.	Description
1	BG20099V3.01	Eyeshield Bracket
2	BG20099V3.02	Bracket Support
3	RW619.S	Repair Washer M6 x 19mm
4	FWM6.S	Flat Washer M6
5	MSP610.S	Machine Screw Pan Head Phillips M6 x 10mm
6	SN4.S	Steel Nut M4 Zinc
7	MSP455.S	Machine Screw Pan Head Phillips M4 x 55mm
8	BG20099V3.08	Eyeshield Holder
9	MSP46.S	Machine Screw Pan Head Phillips M4 x 6mm
10	CBN616.S	Coach Bolt M6 x 16mm
11	MSP612.S	Machine Screw Pan Head Phillips M6 x 12mm
12	FWM5.S	Flat Washer M5
13	BG20099V3.13	Wheel Guard, Left
15	BG20099V3.15	Screw M5 x 70mm
16	BG20099V3.16	Wheel Guard Cover, Left
17	BG20099V3.17	Nut M16 (Left Hand Thread)
18	BG20099V3.18	Wheel Flange
19	BG20099V3.19	Cord & Plug
20*	BG200/16	Grinding Stone Ø200 x 25mm Ø16mm Bore A36Q Coarse (Please See Catalogue)
21	MSP510.S	Machine Screw Pan Head Phillips M5 x 10mm
22	BG20099V3.22	Bearing 80204ZZ
23	BG20099V3.23	Stator
24	BG20099V3.24	Motor Case
25	BG20099V3.25	Label
26	BG20099V3.26	Rotor
27	BG20099V3.27	End Casing
28	MSP520.S	Machine Screw Pan Head Phillips M5 x 20mm
29	BG20099V3.29	Wheel Guard Cover, Right

Item	Part No.	Description
30	SN16.S	Steel Nut M16
31*	BG200/15	Grinding Stone Ø200 x 25mm Ø16mm Bore A60P Fine (Please See Catalogue)
32	MSP825.S	Machine Screw Pan Head Phillips M8 x 25mm
33	BG20099V3.33	Cord Grip
34	BG20099V3.34	Strain Relief
35	BG20099V3.35	Protection Ring
36	MSP516.S	Machine Screw Pan Head Phillips M5 x 16mm
37	BG20099V3.37	Cable Tie
39	BG20099V3.39	Tool Rest, Left
40	BG20099V3.40	Capacitor Holder
41	BG20099V3.41	Base
42	BG20099V3.42	Capacitor 8µF 400V AC 50/60Hz CBB60
43	BG20099V3.43	Wheel Guard, Right
44	FWM8.S	Flat Washer M8
45	SN8.S	Steel Nut M8
46	BG20099V3.46	Screw M5 x 8mm
47	BG20099V3.47	Rubber Foot
48	BG20099V3.48	Base Plate
49	BG20099V3.49	Label For Rocker Switch
50	BG20099V3.50	Switch, Rocker (On/Off)
51	MSP314.S	Machine Screw Pan Head Phillips M3 x 14mm
52	FWM3.S	Flat Washer M3
53	SN5.S	Steel Nut M5
54	BG150XL/96-TF	Tool Rest Fixing Complete
55	BG20099V3.55	Right Adjustable Rest
56	BG20099V3.56	Eyeshield
57	BG20099V3.57	Washer 5 GB96

NOTE: It is our policy to continually improve products and as such we reserve the right to alter data, specifications and component parts without prior notice. There may be alternative versions of this product, please contact us should you require this information.

IMPORTANT: No liability is accepted for incorrect use of product. Spare parts must be fitted by a competent person

WARRANTY: Guarantee is 12 months from purchase date, proof of which will be required for any claim.

Sealey Group, Kempson Way, Suffolk Business Park, Bury St Edmunds, Suffolk. IP32 7AR



01284 757500



sales@sealey.co.uk



www.sealey.co.uk